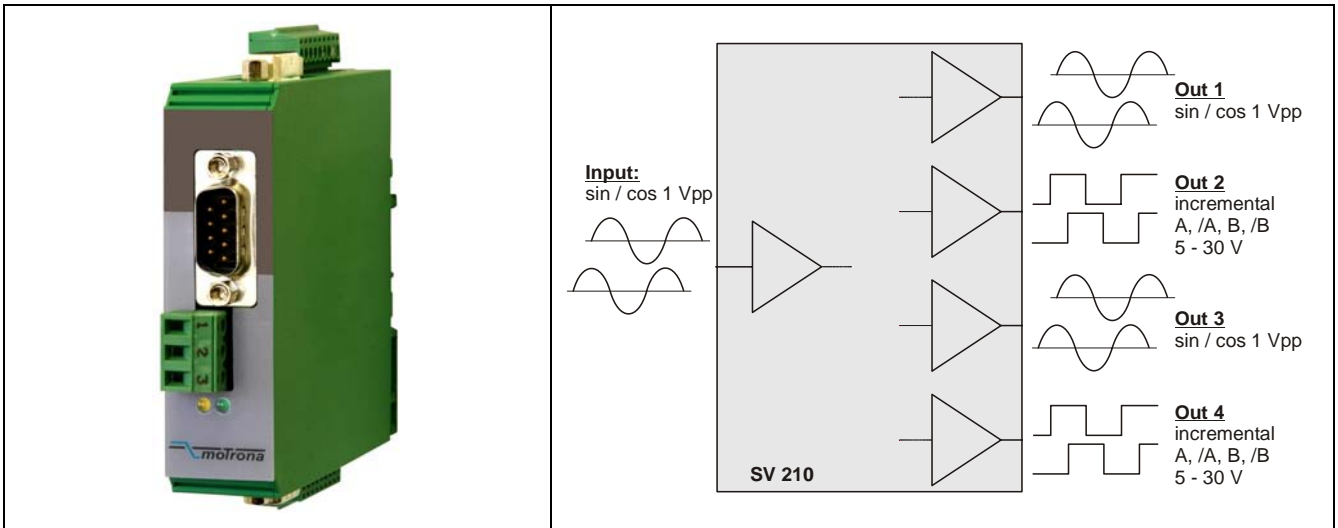


# Interface Type SV 210

## Sine-Cosine Signal Splitter and Incremental Converter



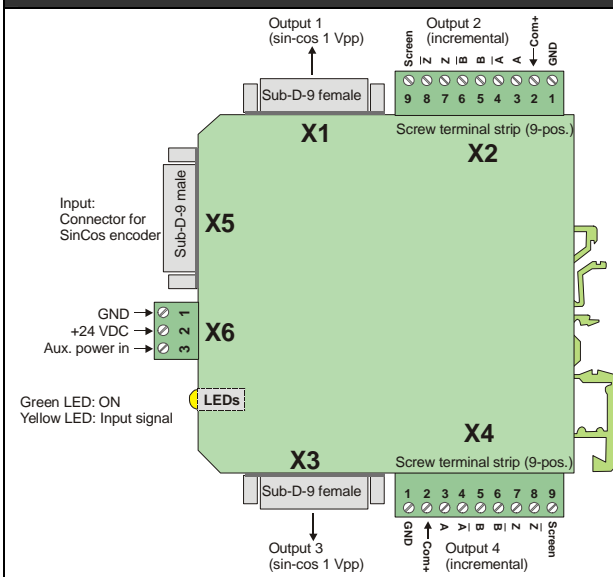
### Product Properties:

- Inputs sin+ / sin- / cos+ / cos- / ref+ / ref-, suitable for encoder signals with 1 Vpp format
- Two sine-cosine outputs with the same signal format
- Two incremental outputs with differential quadrature format A, /A, B, /B, Z, /Z, adjustable to TTL (5V)-or HTL (10-30V) level

### Technical Specifications:

Power supply	:	24 VDC (17 – 30 V)
Current consumption (unloaded)	:	ca. 70 mA
Aux. output for encoder supply	:	5 VDC (150 mA) or 24 VDC from remote source
Signal inputs	:	Differential inputs sin+, sin-, cos+, cos-, ref-, ref+ (0.8 Vpp - 1.2 Vpp)
Signal outputs	:	2 x sine outputs sin+, sin-, cos+, cos-, ref-, ref+ (1 Vpp) 2 x incremental outputs A, /A, B, /B, Z, /Z (5 - 30 V / max. 30 mA per channel)
Max. input frequency	:	500 kHz
Propagation delay time	:	approx. 200 nsec.
Ambient temperature	:	Operation 0° - 45°C (32 - 113°F), Storage -25° - +70°C (-13 - +158°F)

### Electrical Connections:



### Dimensions

